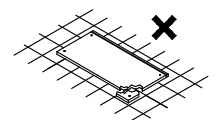
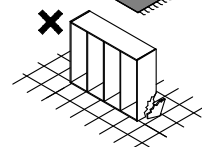
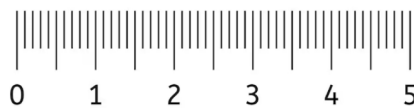
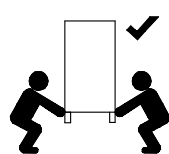
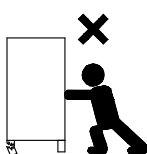
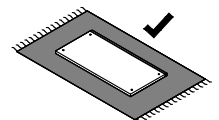
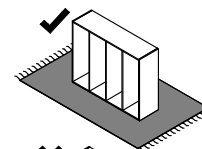
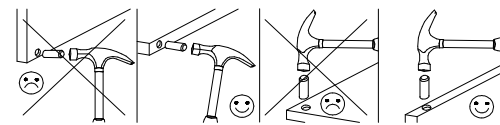
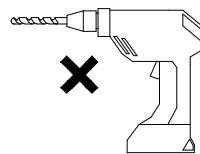
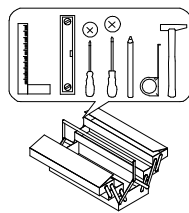
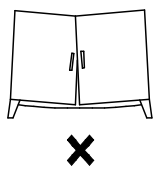
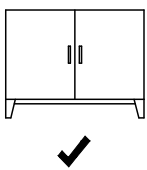
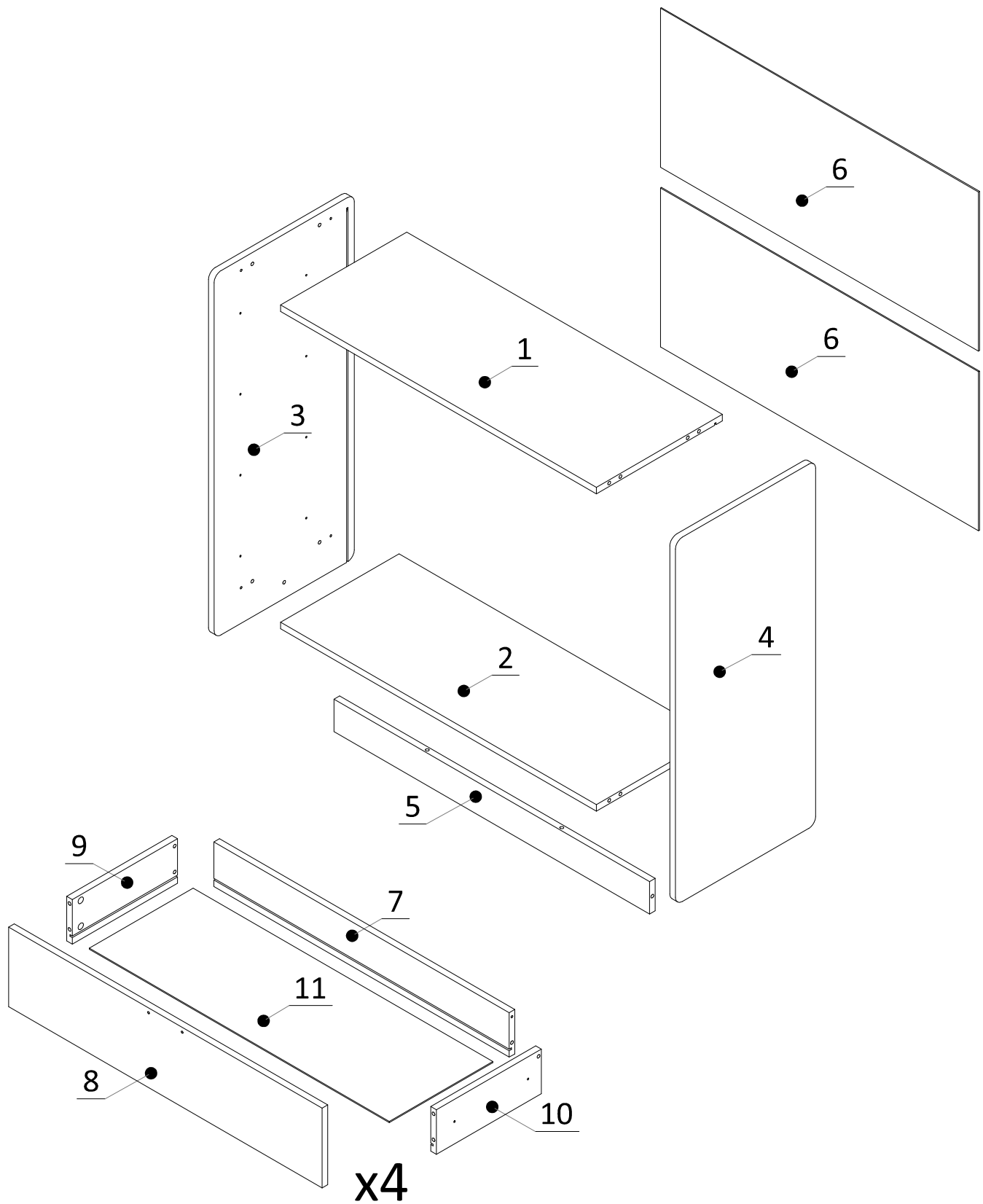

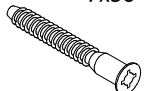
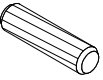

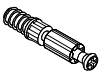
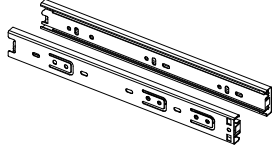



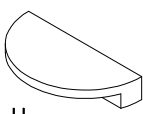
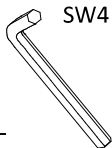

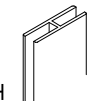
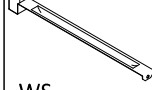
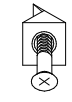

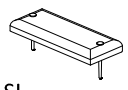


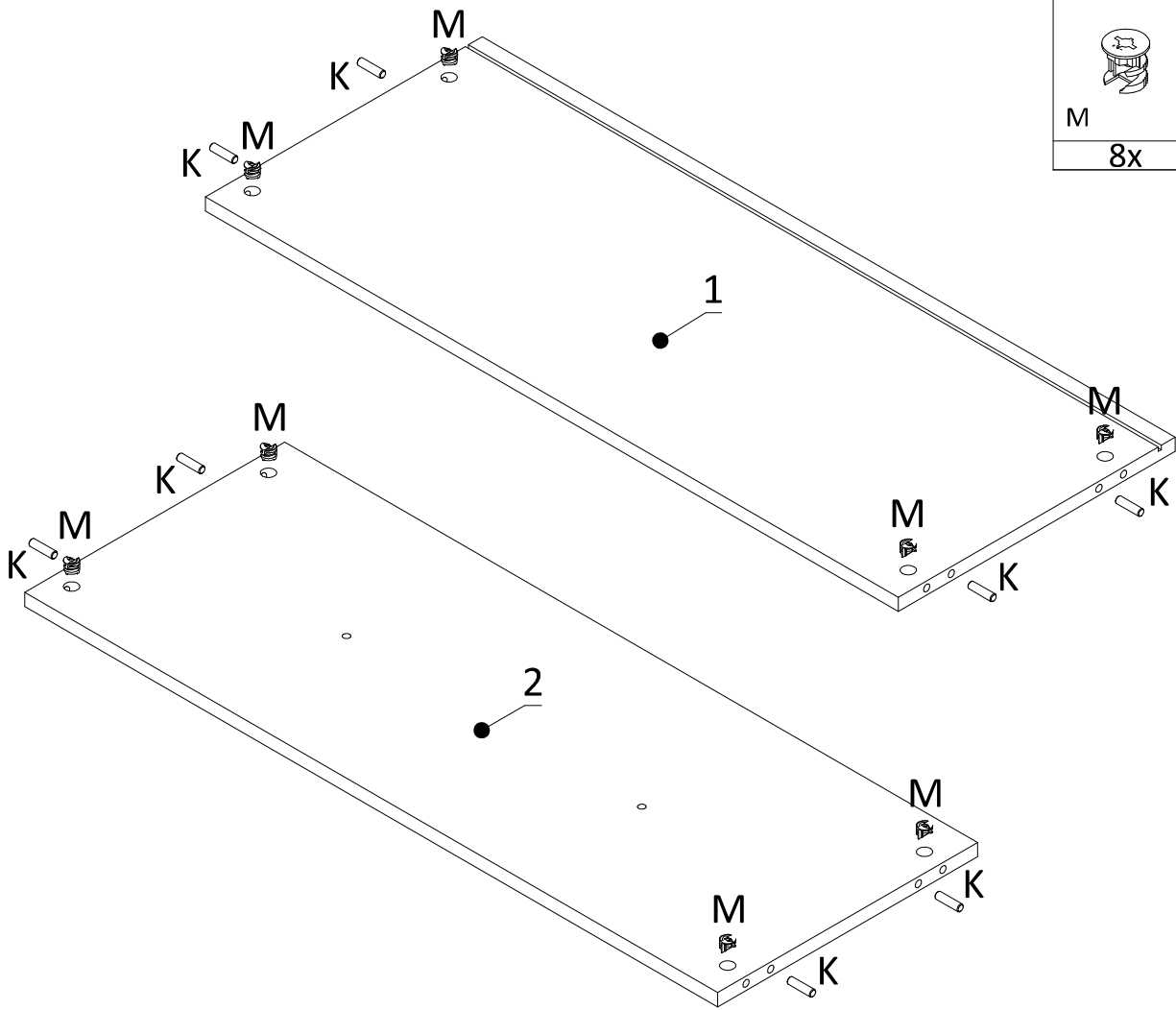
# LEXI R-10


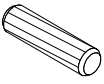




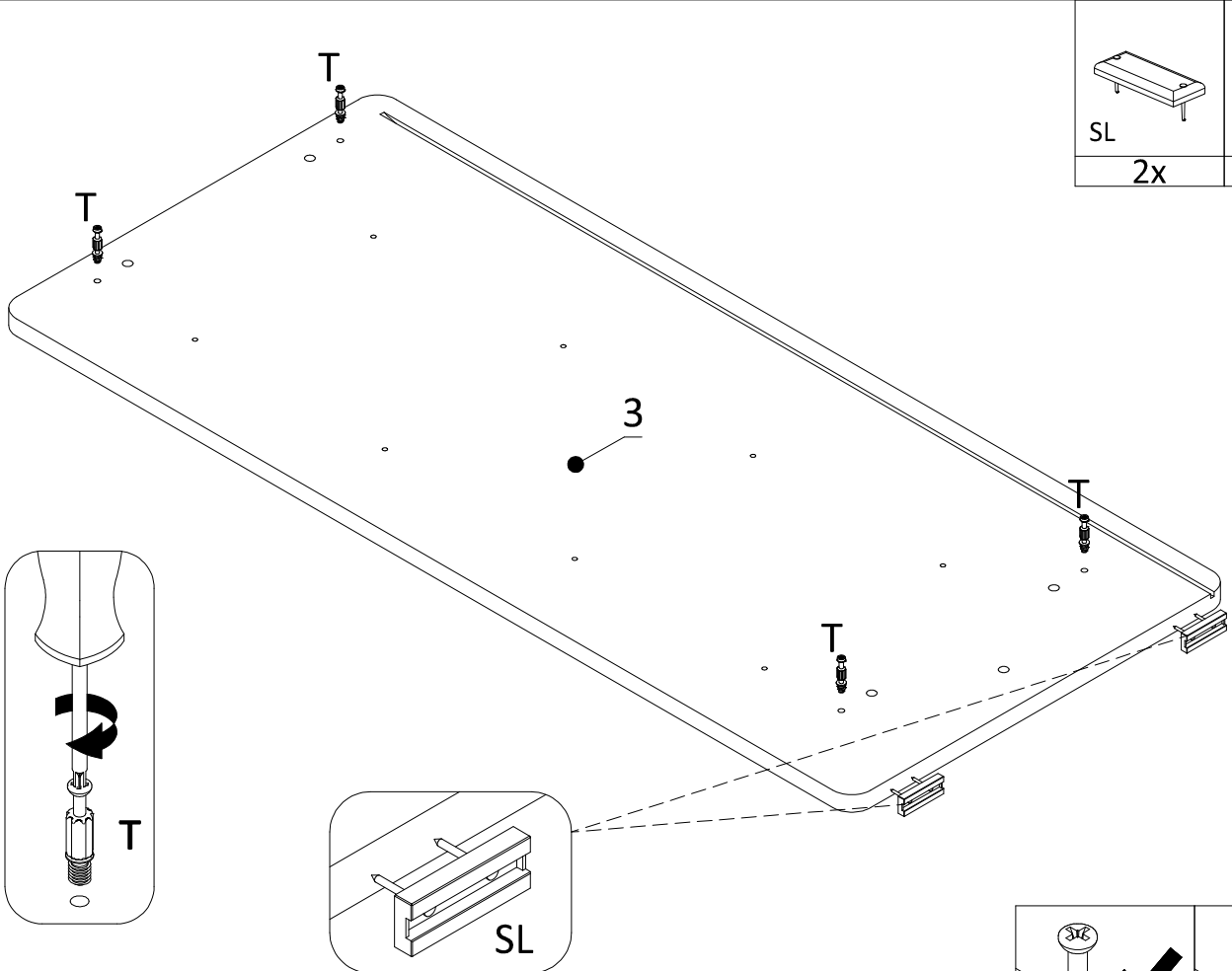
|                                                                                                         |                                                                                                         |                                                                                                         |                                                                                                          |                                                                                                          |                                                                                                        |                                                                                                          |                                                                                                  |                                                                                                          |                                                                                                   |
|---------------------------------------------------------------------------------------------------------|---------------------------------------------------------------------------------------------------------|---------------------------------------------------------------------------------------------------------|----------------------------------------------------------------------------------------------------------|----------------------------------------------------------------------------------------------------------|--------------------------------------------------------------------------------------------------------|----------------------------------------------------------------------------------------------------------|--------------------------------------------------------------------------------------------------|----------------------------------------------------------------------------------------------------------|---------------------------------------------------------------------------------------------------|
| <br>5x13<br>E1<br>32x | <br>7x50<br>KF<br>8x | <br>8x30<br>K<br>20x | <br>15/12<br>M<br>24x | <br>L20,3<br>T<br>24x | <br>4x PK-0H35-300 | <br>PS<br>1x        |                                                                                                  |                                                                                                          |                                                                                                   |
| <br>3x13<br>W1<br>8x  | <br>4x30<br>W6<br>8x | <br>U<br>4x          | <br>SW4<br>KL<br>1x   | <br>ZM<br>24x         | <br>H<br>1x         | <br>L300<br>WS<br>4x | <br>S<br>6x | <br>2x20<br>G<br>8x | <br>SL<br>5x |

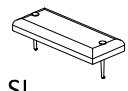
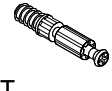
# 1

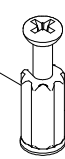



|                                                                                         |                                                                                         |
|-----------------------------------------------------------------------------------------|-----------------------------------------------------------------------------------------|
| <br>M | <br>K |
| 8x                                                                                      | 8x                                                                                      |

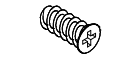
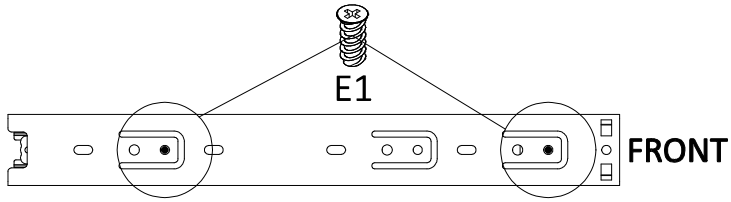
# 2



|                                                                                             |                                                                                            |
|---------------------------------------------------------------------------------------------|--------------------------------------------------------------------------------------------|
| <br>SL | <br>T |
| 2x                                                                                          | 4x                                                                                         |

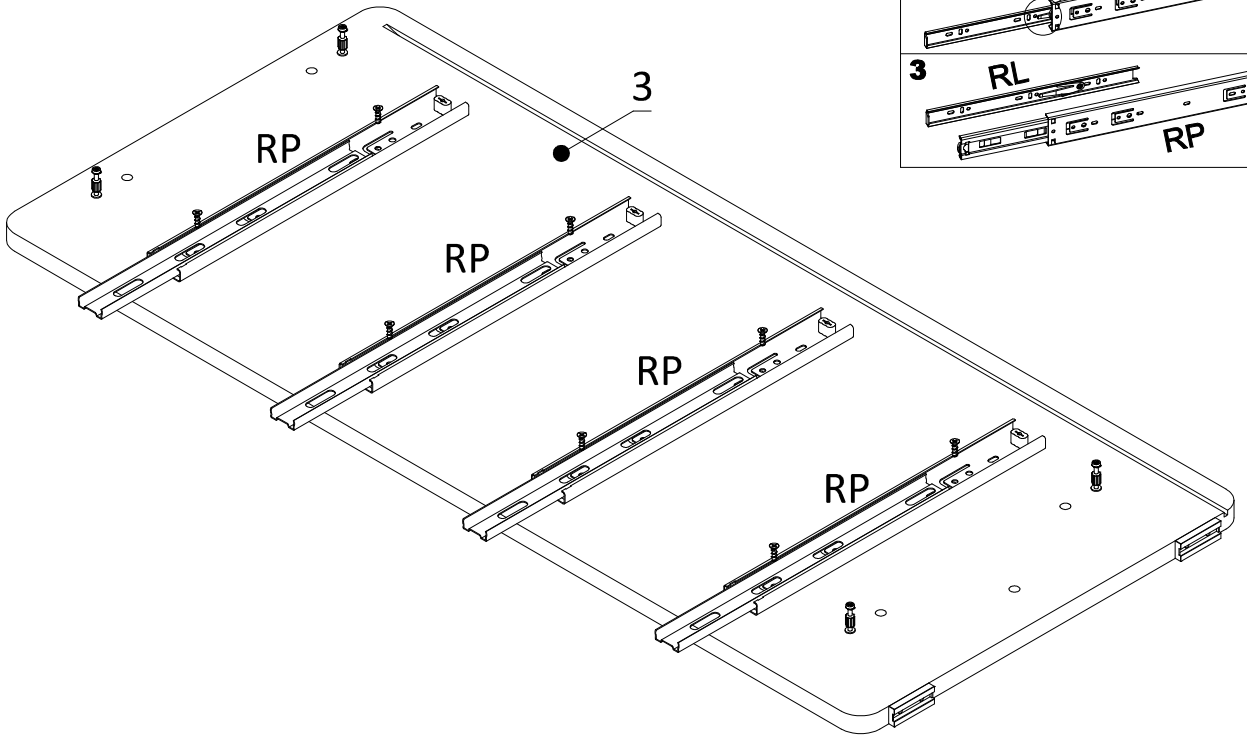
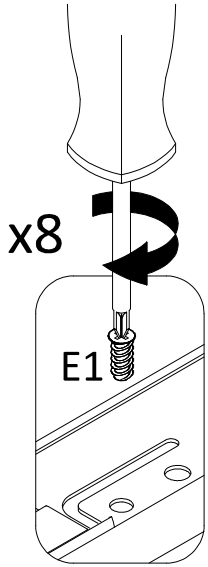
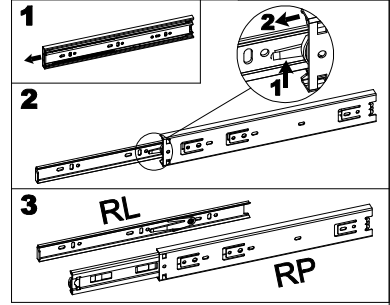
|                                                                                         |                                                                                         |
|-----------------------------------------------------------------------------------------|-----------------------------------------------------------------------------------------|
|  ✓ |  ✗ |
|-----------------------------------------------------------------------------------------|-----------------------------------------------------------------------------------------|

# 3

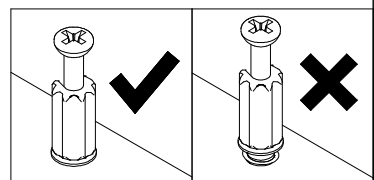
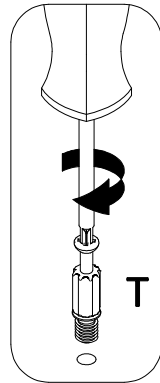
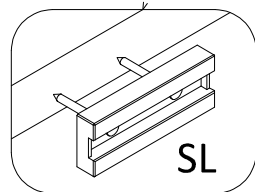
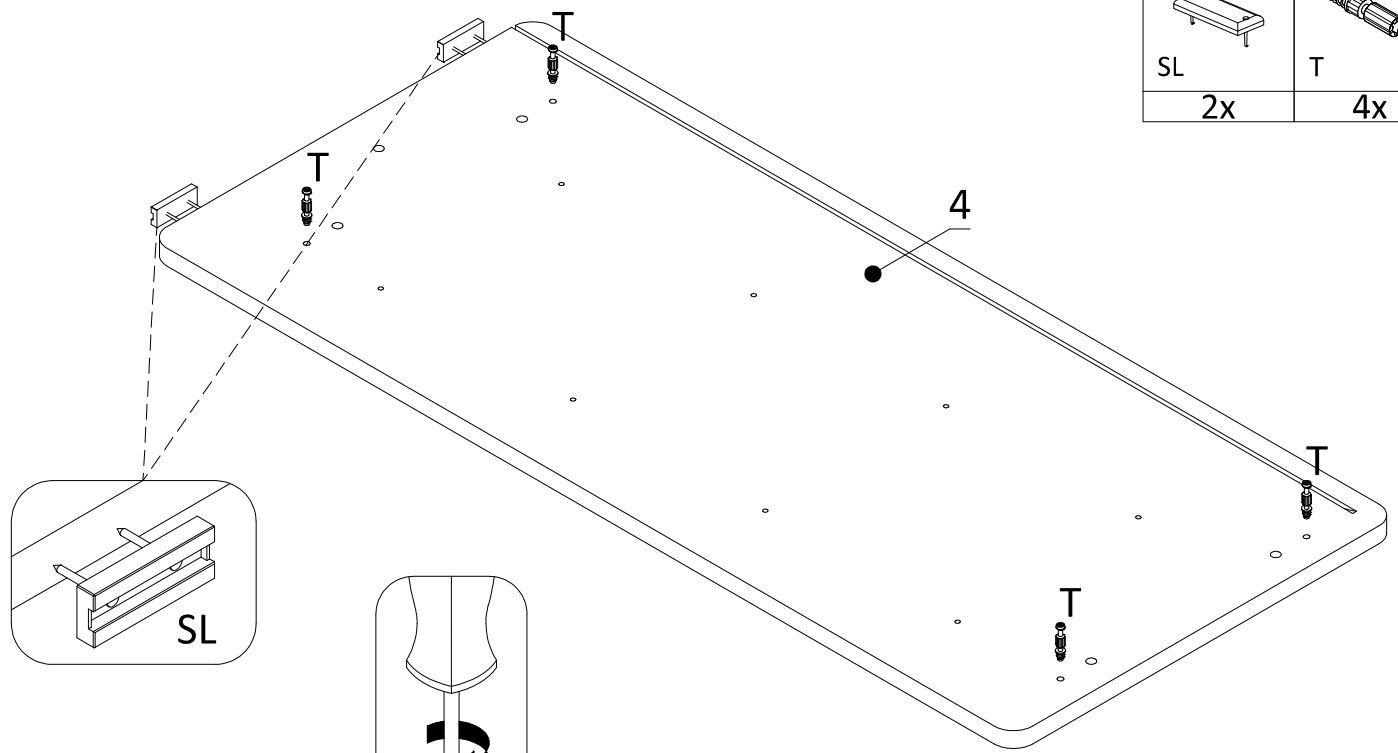
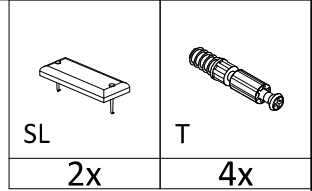


E1

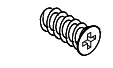
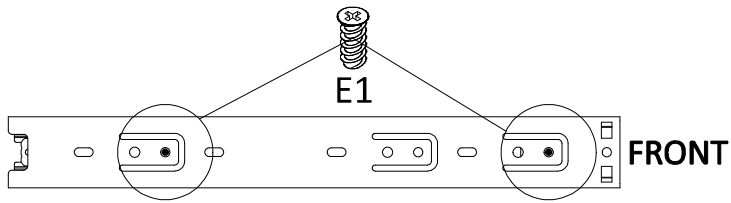
8x



# 4

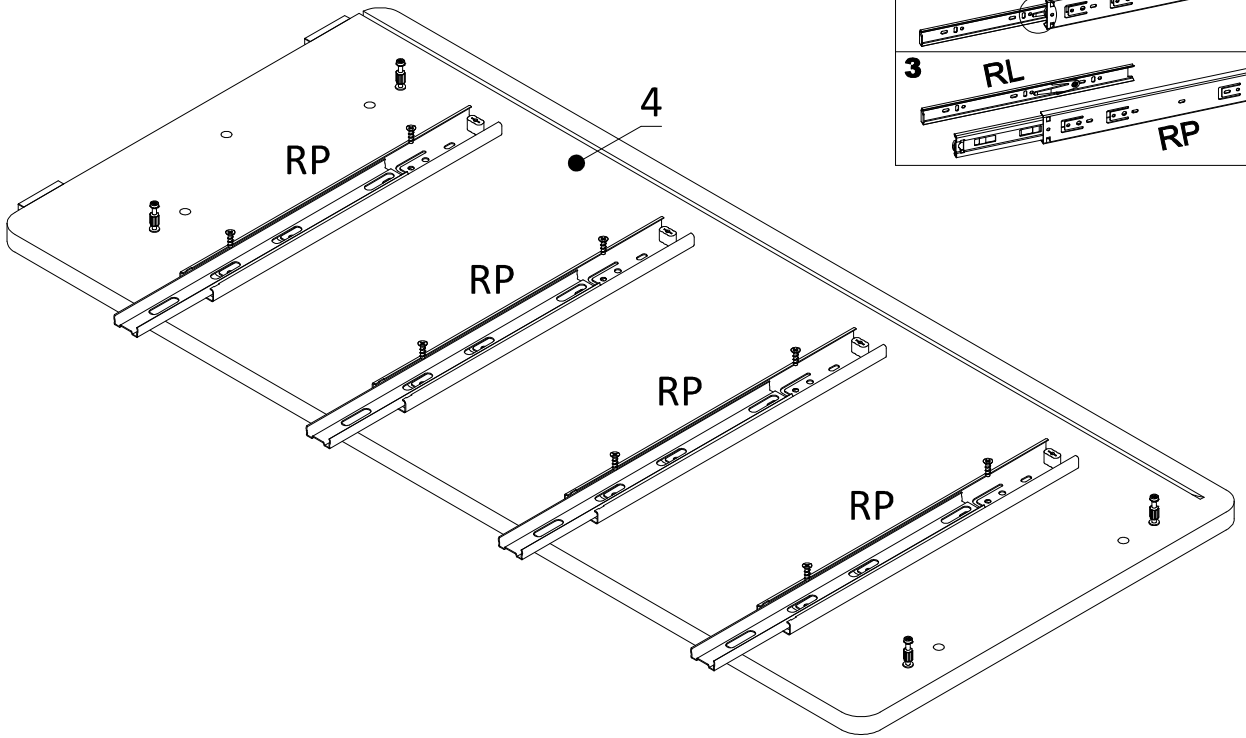
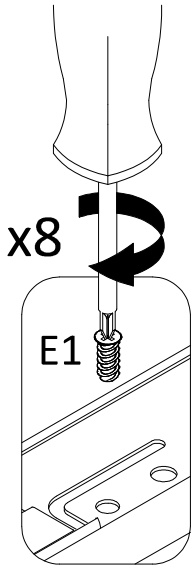
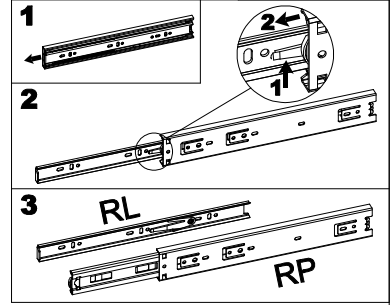


5

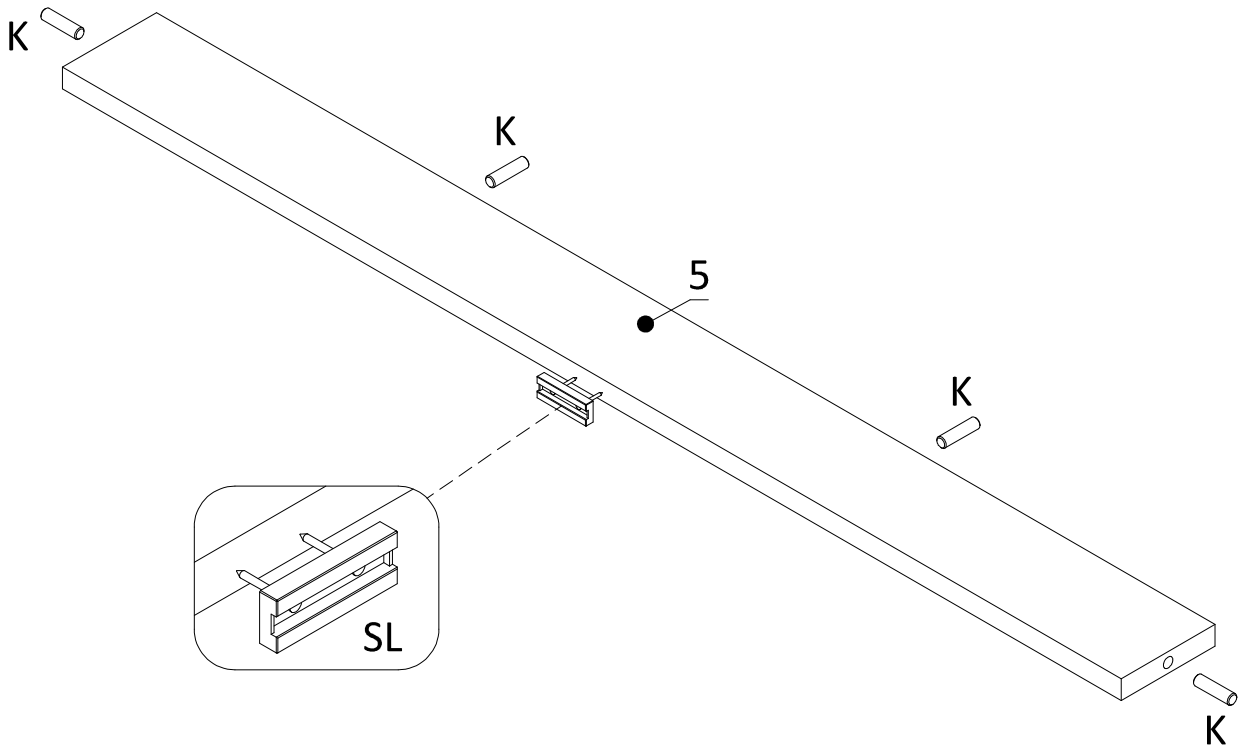
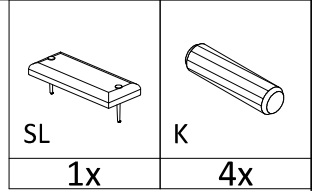


E1

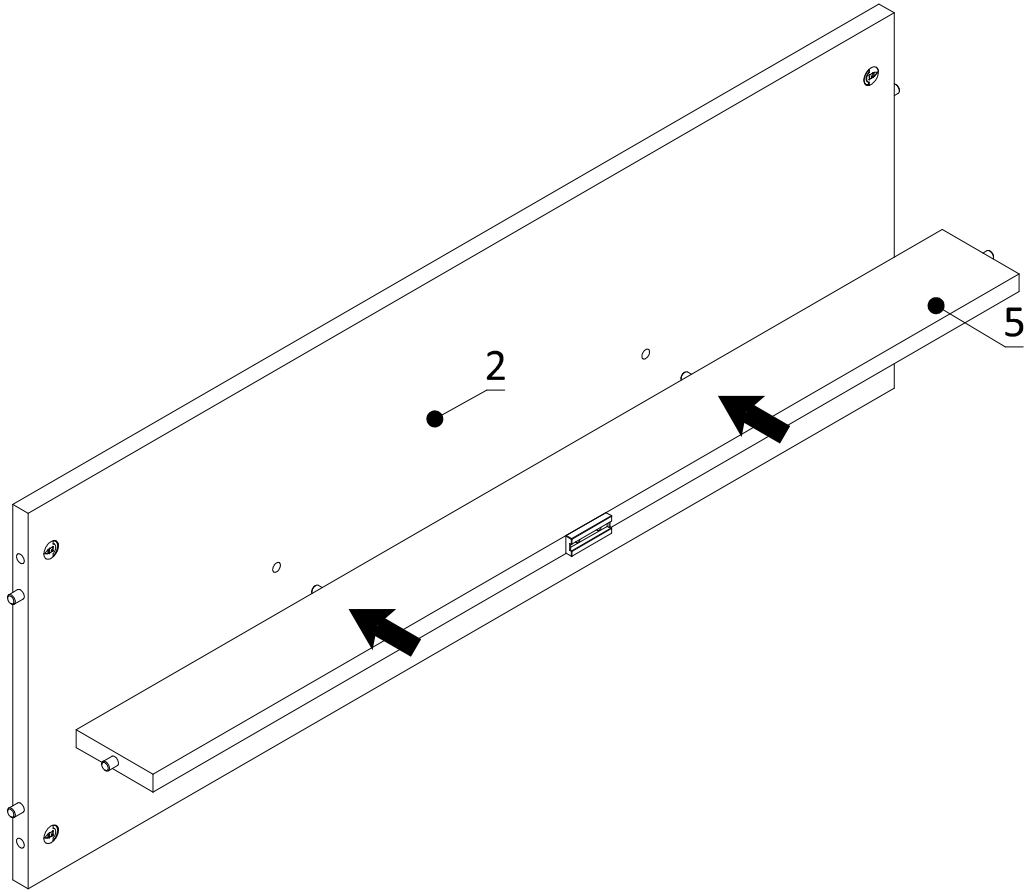
8x



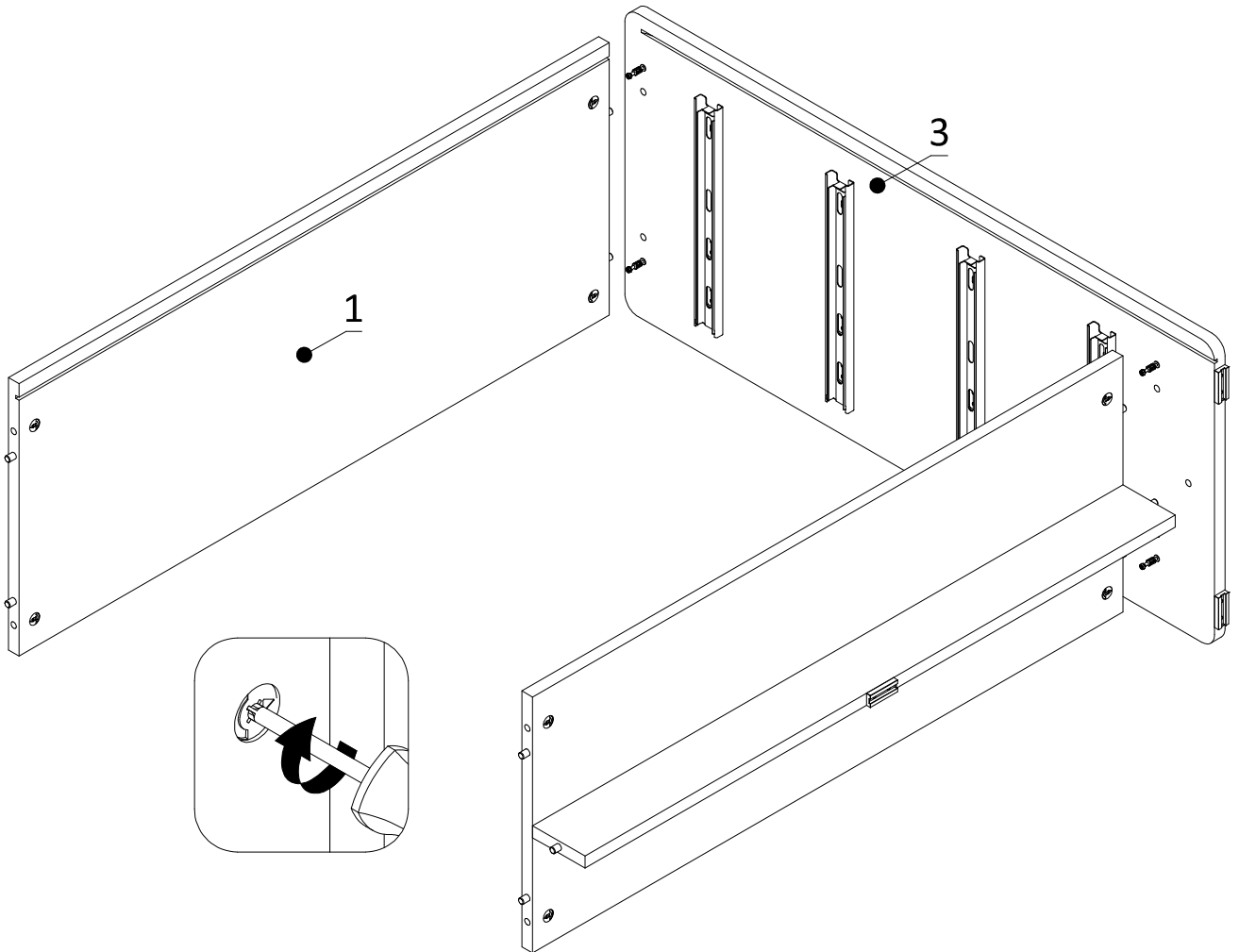
6



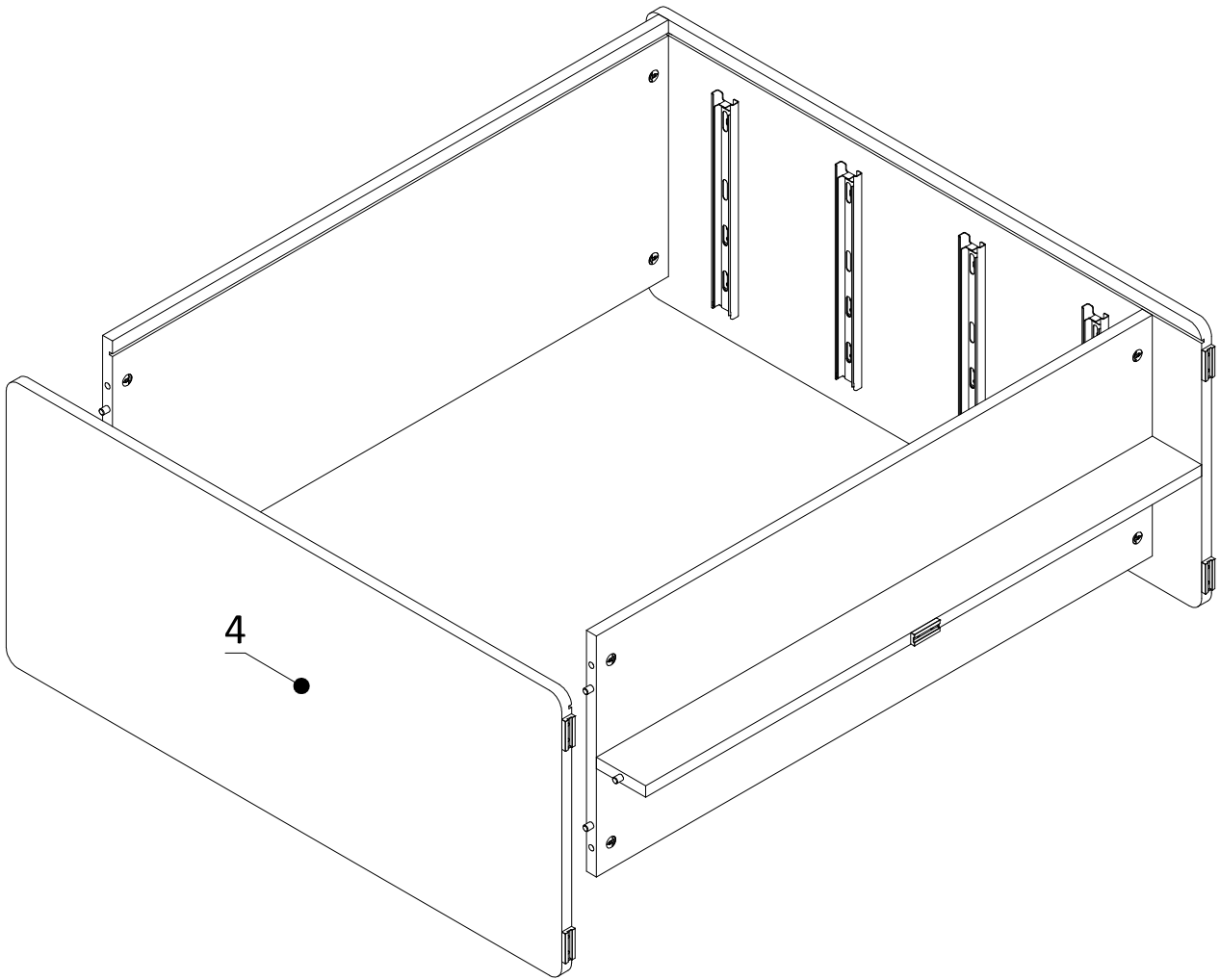
7



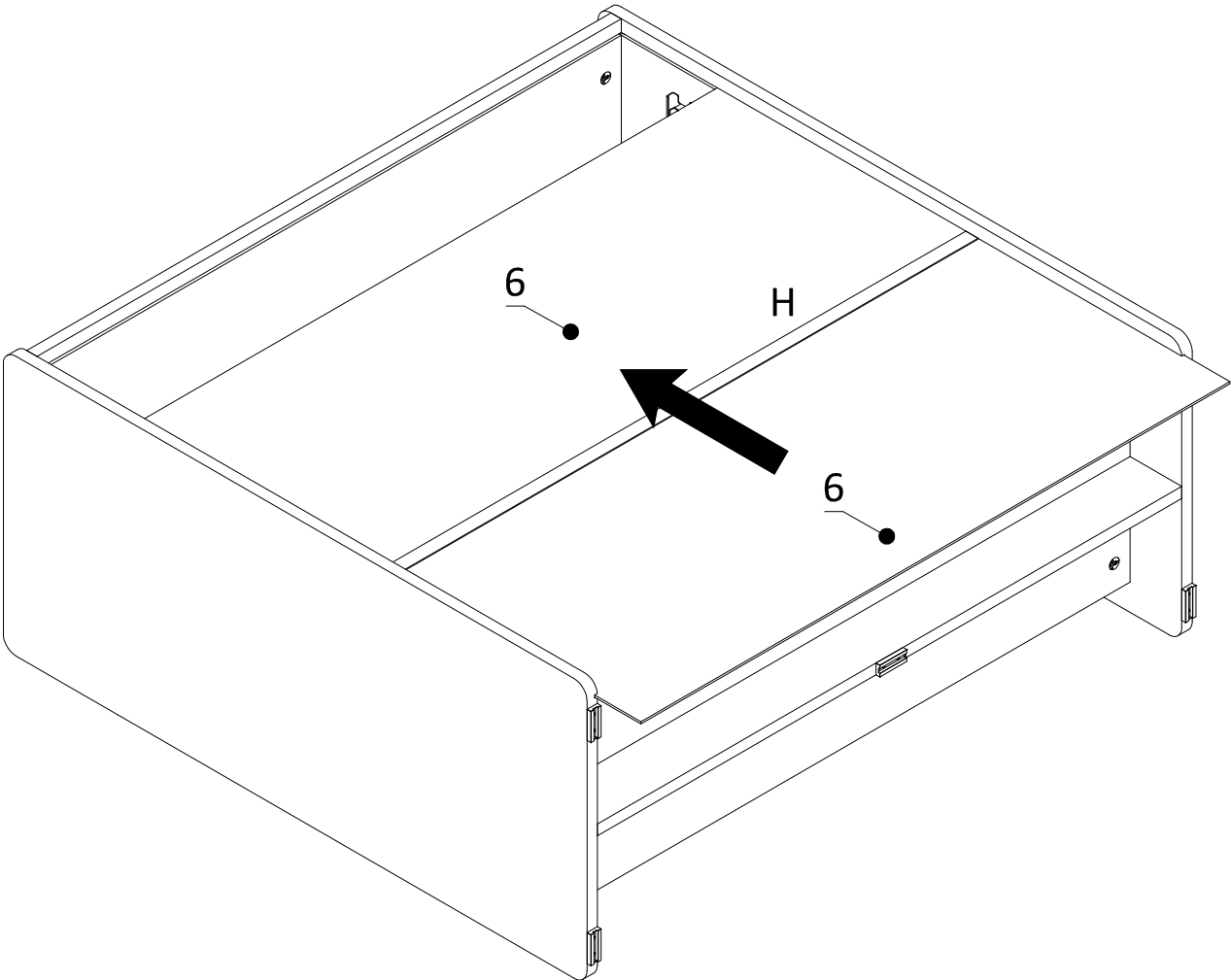
8



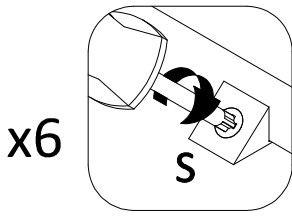
9





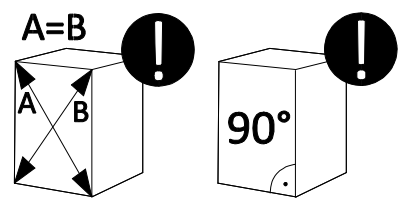
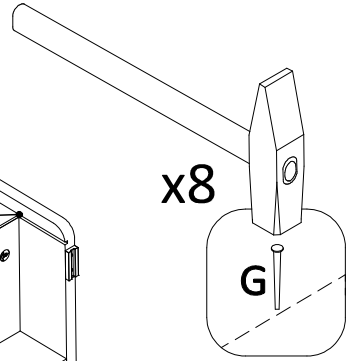
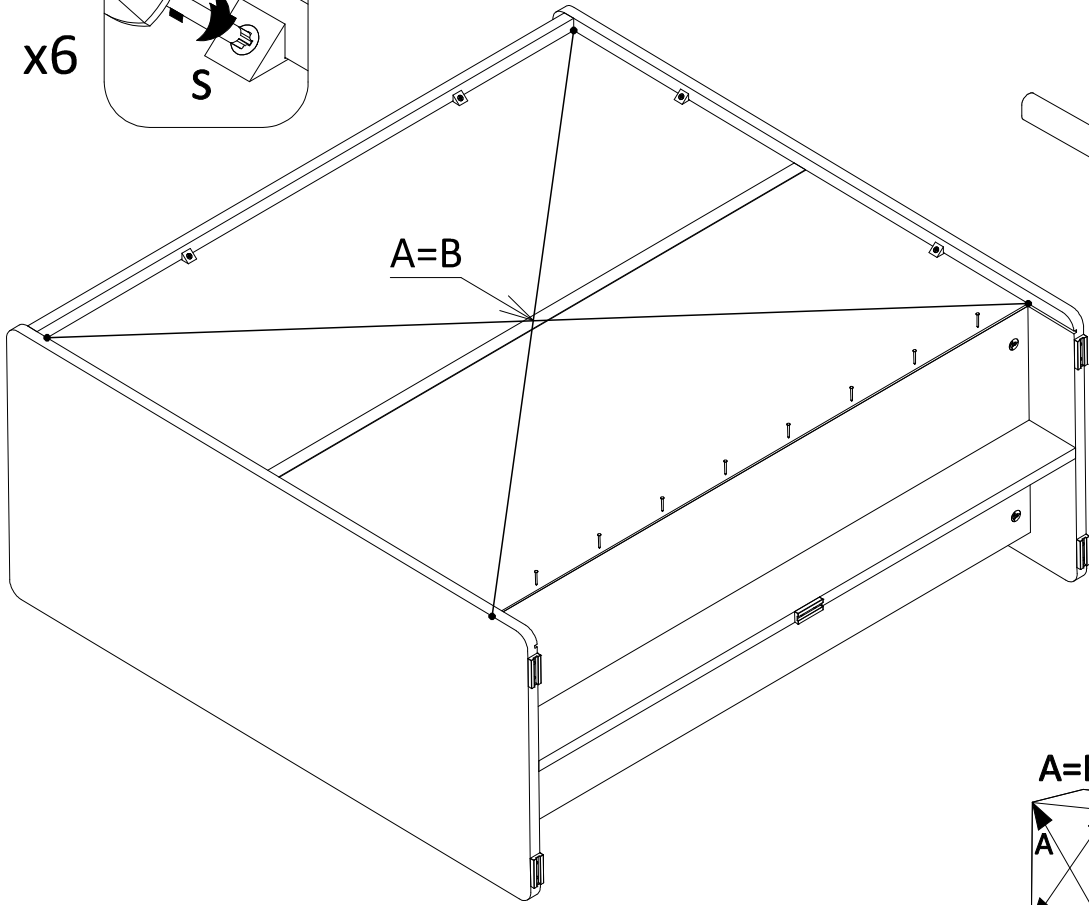
10



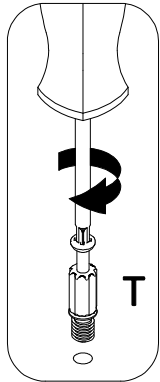
# 11

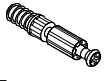
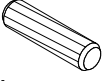


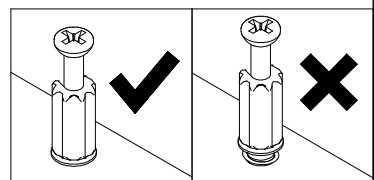
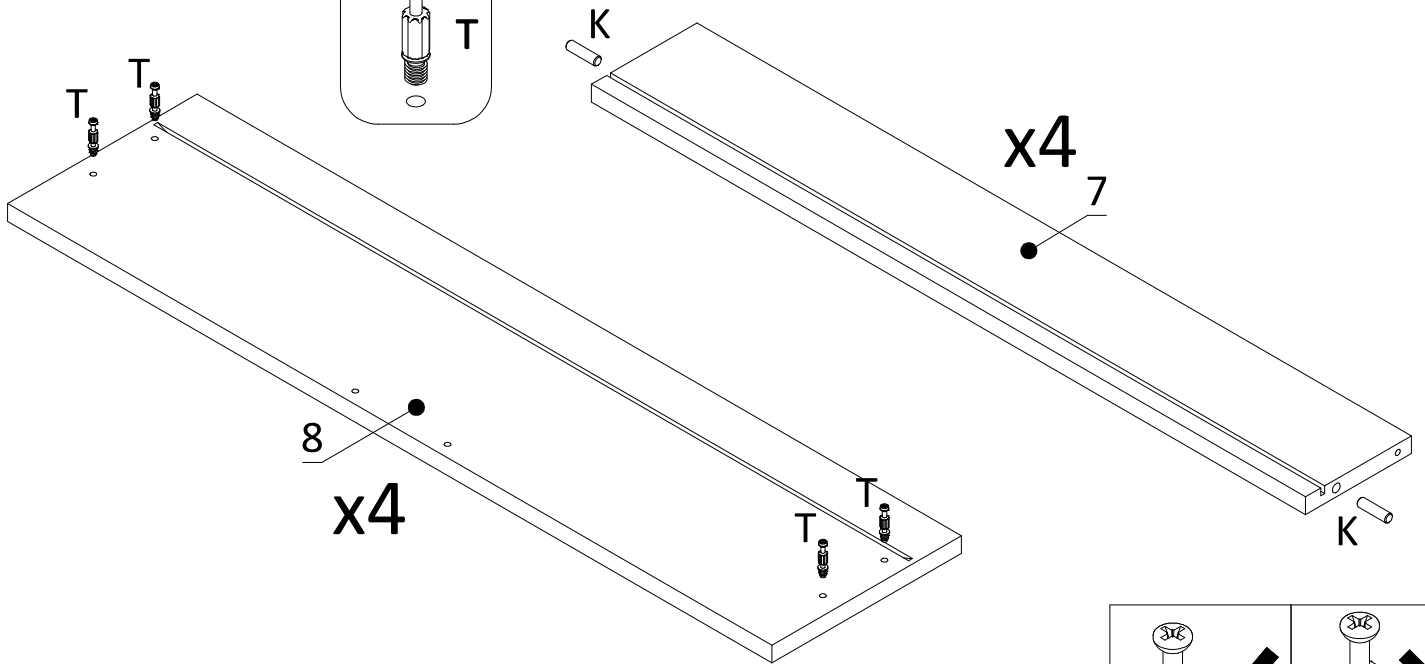
|                                                                                    |                                                                                    |
|------------------------------------------------------------------------------------|------------------------------------------------------------------------------------|
|  |  |
| S                                                                                  | G                                                                                  |
| 6x                                                                                 | 8x                                                                                 |



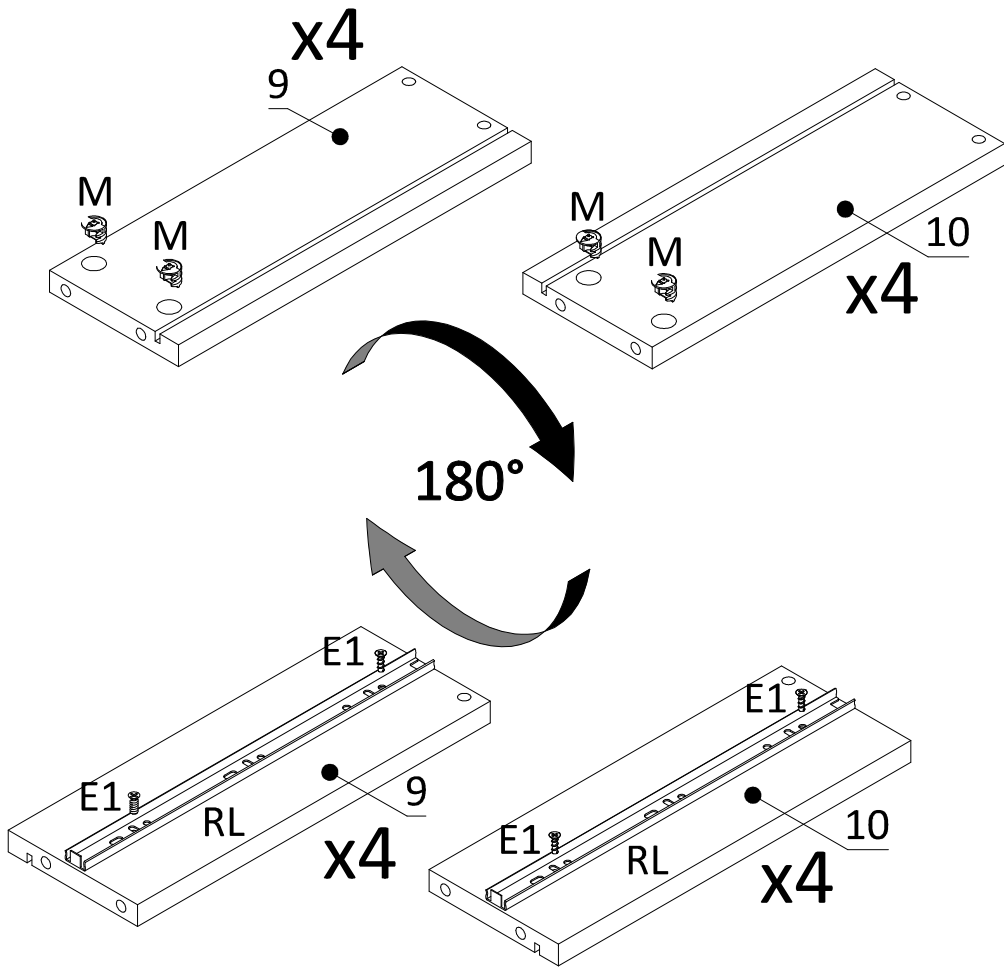
# 12



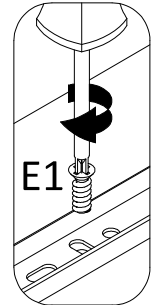
|                                                                                       |                                                                                       |
|---------------------------------------------------------------------------------------|---------------------------------------------------------------------------------------|
|  |  |
| T                                                                                     | K                                                                                     |
| 16x                                                                                   | 8x                                                                                    |



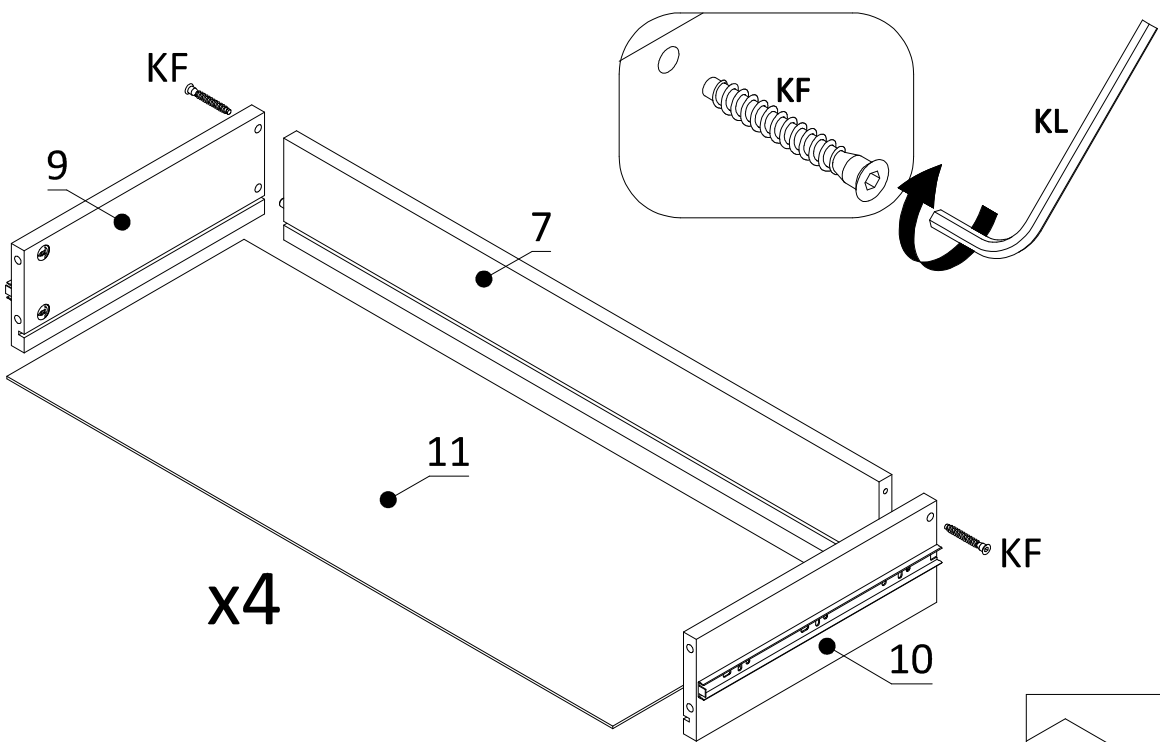
# 13



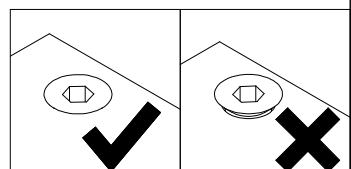
|     |     |
|-----|-----|
|     |     |
| E1  | M   |
| 16x | 16x |
|     |     |
| RL  |     |
| 4x  |     |



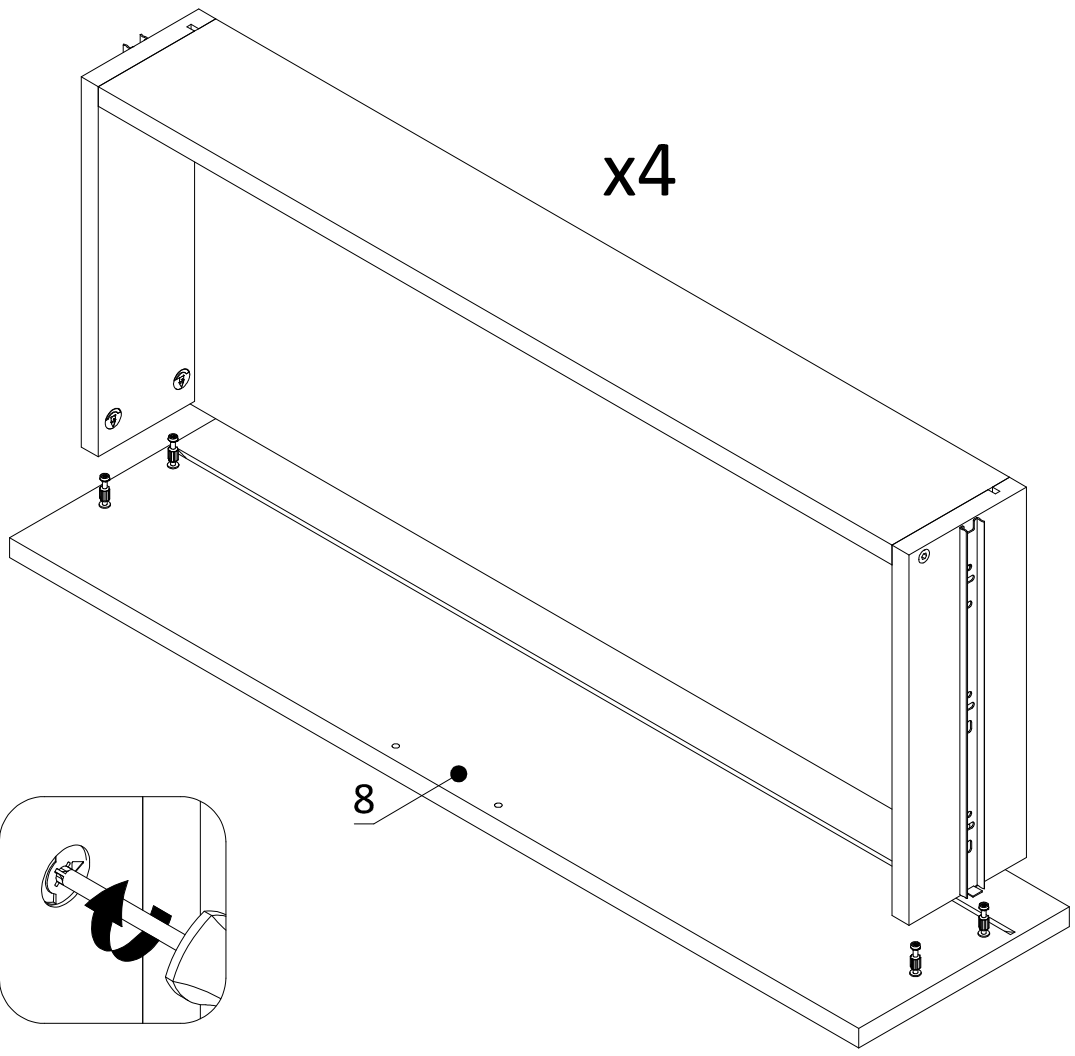
# 14



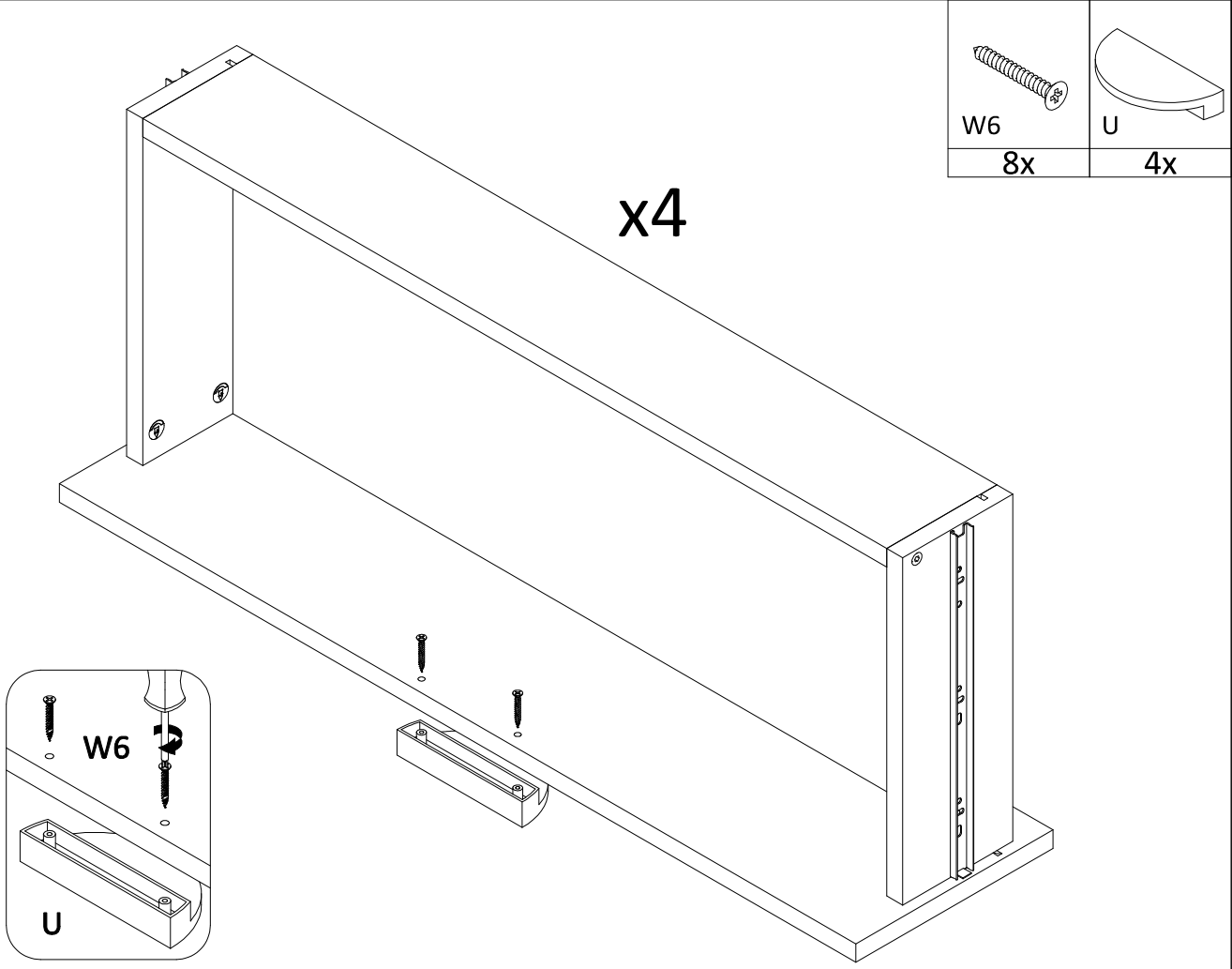
|    |    |
|----|----|
|    |    |
| KF | KL |
| 8x | 1x |



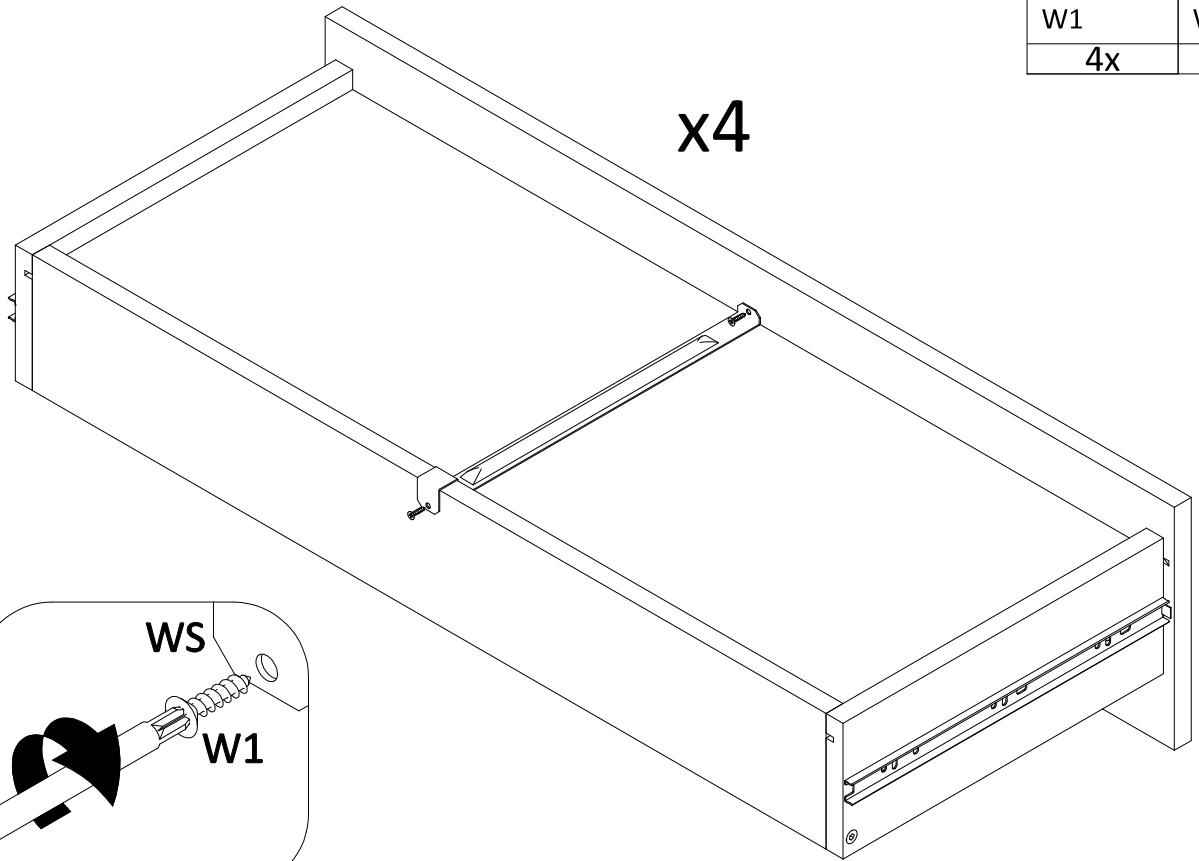
15


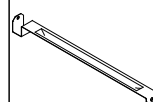


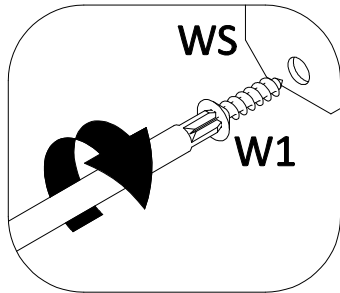
16



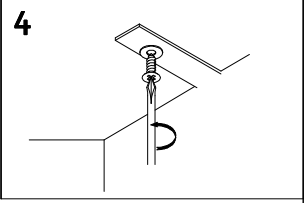
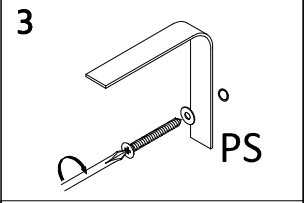
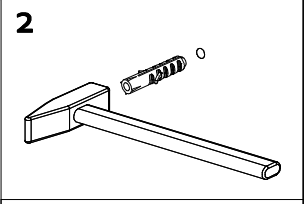
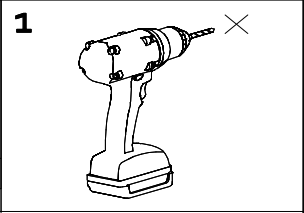
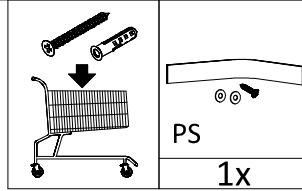
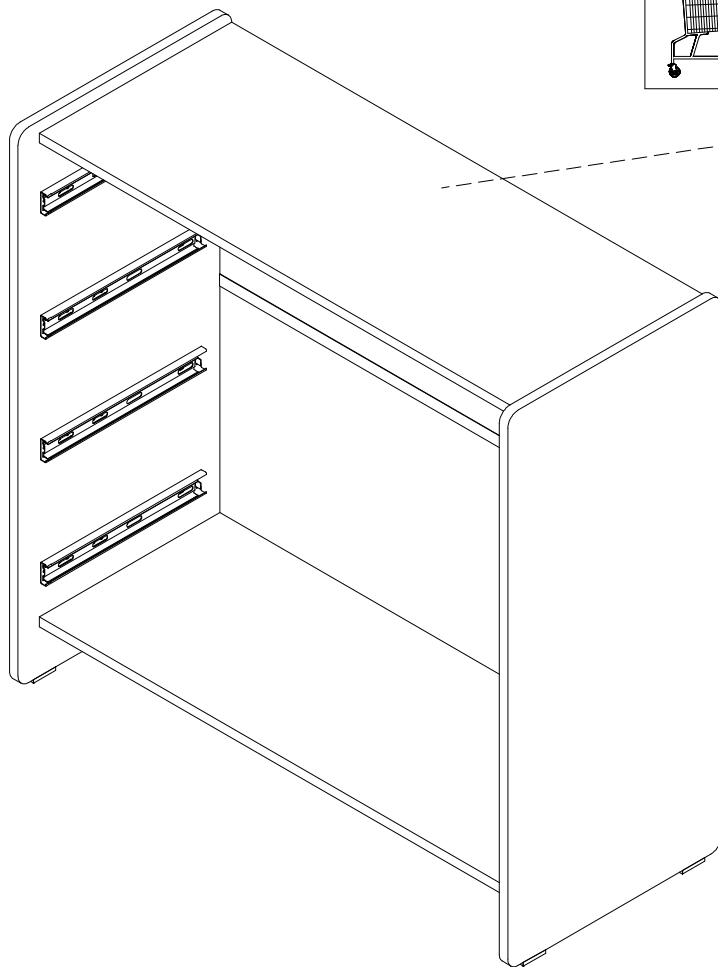
17



|                                                                                    |                                                                                    |
|------------------------------------------------------------------------------------|------------------------------------------------------------------------------------|
|  |  |
| W1                                                                                 | W5                                                                                 |
| 4x                                                                                 | 4x                                                                                 |



18



19

